



Quick Disconnect Systems (QDS)

Solving Your Toughest
Sealing Problems

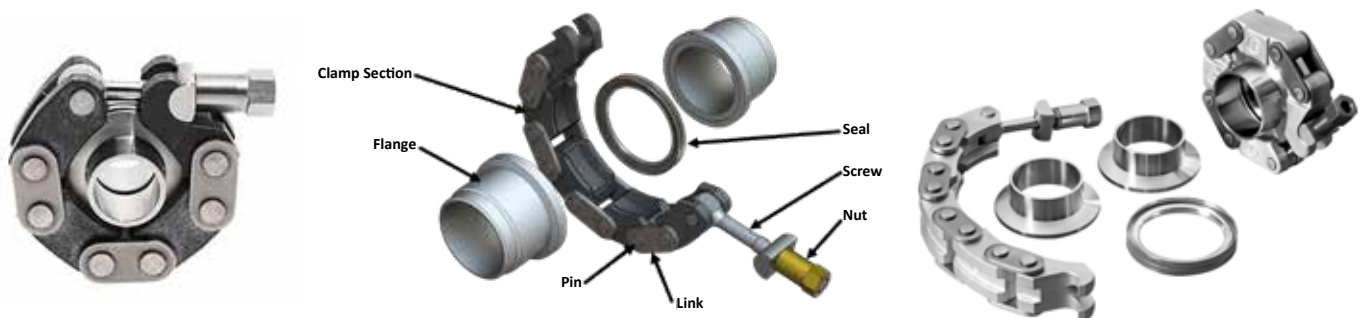
QUICK DISCONNECT SYSTEMS

QDS CONCEPT

The Quick Disconnect System (QDS) is designed to quickly assemble and disassemble a flange joint while offering space saving features. A typical QDS requires less space than a traditional bolted assembly and is easier to install, especially in tight locations where access to bolts and screws may be difficult. This feature is especially beneficial in radioactive environments where personnel exposure is an issue. The QDS is available in both standard ISO-KF sizes and custom sizes for low, medium and high pressure applications. Because the flanges and clamp lips are conical, the QDS is able to self-adjust to the thickness of the seal, thus enabling various seal types to be employed. QDS can be used in a wide range of temperatures : from cryogenics to >752°F, depending on the applications. During tightening, no torsion torque is applied to the pipes.

The QDS is widely used in various critical markets, including nuclear, research, aerospace and industrial.

Special designs can be done by our engineering department depending on your specific requirements.



CONFIGURATIONS

CLAMPS

Reference Number			NM
300	A	55	
Class* 150 300 500	Clamp Size	Flange OD (mm)	Non-Magnetic <small>This is a special option for applications that require reduced magnetic permeability</small>

FLANGES

Reference Number			Weld Stub Description		
300	KF	55	38mm	1.6mm	Short
Class* 150 300 500	Flange Type L Standard ISO Class 150 KF Class 300/500	Flange OD (mm)	Pipe OD (Class 300/500)	Pipe Schedule Tube thickness (Class 300/500)	Stub Length (Class 300/500)

QDS SEAL-CLAMP COMPATIBILITY

	Jacket Material	Class 150	Class 300	Class 500	Class 1000
HELICOFLEX® HL290P	Aluminum	•	•	•	•
	Silver		•	•	•
	Copper			•	•
	Nickel			•	•
	Stainless Steel			•	•
DELTA® HLV290P	Aluminum	•	•	•	•
	Silver		•	•	•
	Copper			•	•
	Nickel			•	•
	Stainless Steel			•	•

Example:
300KF55 38mm, 1.6mm, short
 Class 300
 Type KF
 Flange OD = 55mm
 Pipe OD = 38mm
 Pipe thickness = 1.6mm
 Stub Length = Short (30mm)

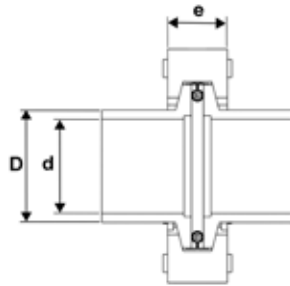
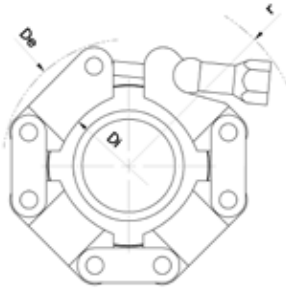
Blind Flanges:
 Blind Flanges may be specified by placing a "T" in front of the Reference Number

Example: T300KF55

(1) The class type is based on load capability expressed in N/mm and is NOT related to the pound ratings for ANSI B16.5 flanges.

CLASS 150 NON-MAGNETIC ISO KF - PNEUROP CLAMPS

Class 150 series is mostly used for vacuum and cryogenic applications. This series has been designed to compress aluminum HELICOFLEX® seals. Its maximum temperature is limited by the aluminum used for the clamp sections (100°C maximum or 212°F).



Clamp Dimensions											
ISO KF Nominal Diameter	Clamp Reference	De		Di		r		e		Max torque	
		in	mm	in	mm	in	mm	in	mm	in. lb	N.m
10/16	150 L 30	2.284	58	0.827	21	2.402	61	0.906	23	35.0	4
20/25	150 L 40	2.795	71	1.181	30	2.284	58	0.906	23	62.0	7
32/40	150 L 55	3.346	85	1.772	45	2.559	65	0.906	23	80.0	9
50	150 L 75	4.016	102	2.559	65	2.796	71	0.906	23	89.0	10

Material:

- Aluminum clamp sections
- Non-magnetic links
- Non-magnetic stainless steel bolting

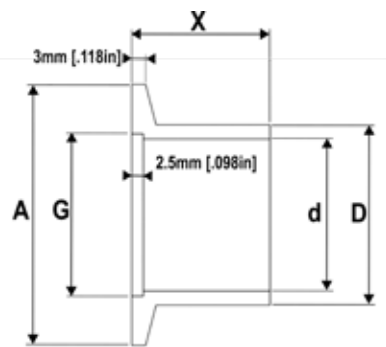
The selection is made according to the ISO Nominal Diameter reference

Technical Data:

- Clamping load: 150 N/mm (860 lb/in) max.
- Temperature: 100°C (212°F) max.

NOTE: ISO nominal diameter is sometimes denoted as NW or KF
The maximum allowable pressure can be determined by our Engineering Department

Flange Dimensions													
ISO KF Nominal Diameter	A		D		d		G		X-short		X-long		Flange ref. number
	in	mm	in	mm	in	mm	in	mm	in	mm	in	mm	
10	1.181	30	0.551	14	0.394	10	0.480	12.2	0.787	20	1.969	50	150 KF 30 ND 10
16	1.181	30	0.780	19.8	0.630	16	0.677	17.2	0.787	20	1.969	50	150 KF 30 ND 16
20	1.575	40	0.984	25	0.827	21	0.874	22.2	0.984	25	1.969	50	150 KF 40 ND 20
25	1.575	40	1.102	28	0.945	24	1.032	26.2	0.984	25	1.969	50	150 KF 40 ND 25
32	2.165	55	1.496	38	1.260	32	1.346	34.2	1.181	30	2.362	60	150 KF 55 ND 32
40	2.165	55	1.732	44	1.575	40	1.622	41.2	1.181	30	2.362	60	150 KF 55 ND 40
50	2.953	75	2.244	57	1.969	50	2.055	52.2	1.181	30	2.362	60	150 KF 75 ND 50

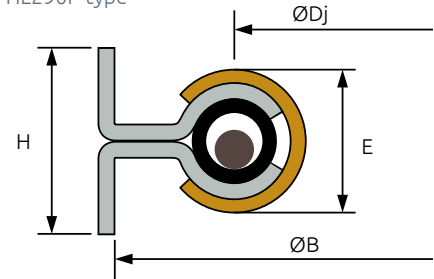


NOTE: Flange class 150 dimensions as per NF E 29-724/ISO 2861

Seal Dimensions - Aluminum Jacket									
ISO KF Nominal Diameter	ØDj		ØB		E		H		Seal Type
	in	mm	in	mm	in	mm	in	mm	
10/16	0.866	22.0	1.185	30.1	0.189	4.8	0.354	9.0	HL290P-4.8AI ND 16
20/25	1.268	32.2	1.579	40.1	0.189	4.8	0.354	9.0	HL290P-4.8AI ND 25
32/40	1.878	47.7	2.169	55.1	0.189	4.8	0.354	9.0	HL290P-4.8AI ND 40
50	2.449	62.2	2.957	75.1	0.189	4.8	0.354	9.0	HL290P-4.8AI ND 50

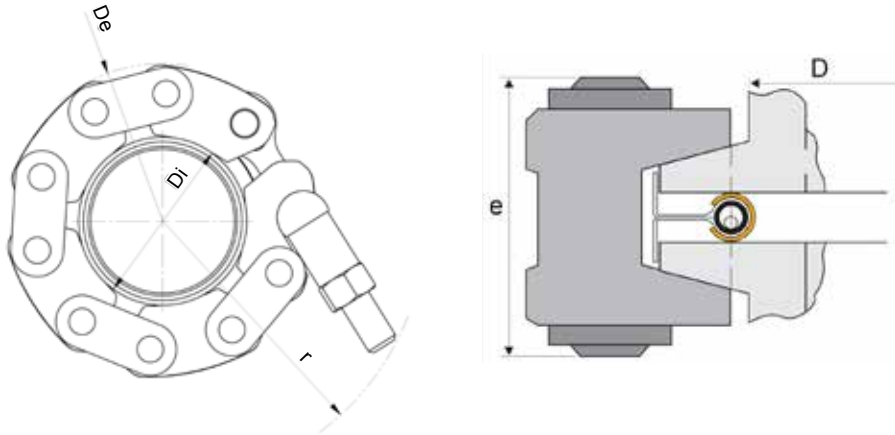
The above references are held in stock for class 150, 300, and 500

HELICOFLEX®
HL290P type



CLASS 300 CLAMPS

Class 300 series is used for current applications (mid pressure and mid temperature) and can be supplied with non-magnetic materials. This series can be used in place of Class 150 QDS and has been designed to compress soft HELICOFLEX® seals with a seating load lower than 300N.mm⁻¹.



Clamp Dimensions												
Clamp Reference	Tube OD (Max)		De		Di		r		e		Max torque	
	in	mm	in	mm	in	mm	in	mm	in	mm	ft.lb	N.m
300 A 30	0.709	8	2.362	60	0.787	20	2.165	55	1.260	32	4	5
300 A 40	1.102	28	2.756	70	1.181	30	2.283	58	1.260	32	7	9
300 A 55	1.693	43	3.307	84	1.772	45	2.441	62	1.260	32	10	13
300 A 75	2.441	62	3.937	100	2.559	65	2.756	70	1.260	32	13	17
300 B 92	2.992	76	5.512	140	3.150	80	4.134	105	1.614	41	37	50
300 B 114	3.780	96	6.299	160	4.016	102	4.528	115	1.614	41	37	50
300 B 134	4.567	116	7.087	180	4.803	122	4.921	125	1.614	41	37	50
300 C 167	5.748	146	9.055	230	6.024	153	6.142	156	2.087	53	89	120
300 C 201	7.087	180	10.630	270	7.362	187	6.890	175	2.087	53	89	120
300 C 252	9.055	230	12.598	320	9.370	238	7.677	195	2.087	53	89	120
300 D 304	10.945	278	14.961	380	11.260	286	9.055	230	2.756	70	133	180
300 D 356	12.992	330	17.087	434	13.307	338	10.236	260	2.756	70	133	180
300 D 387	14.173	360	18.110	460	14.528	369	10.827	275	2.756	70	133	180
300 D 438	16.142	410	20.079	510	16.535	420	11.811	300	2.756	70	133	180



Material:

- Stainless Steel clamp sections
- Stainless Steel links
- Steel screw (stainless steel on request)

Technical Data:

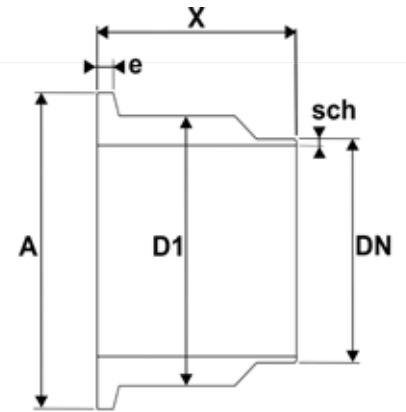
- Clamping load: 300 N/mm (1715 lb/in) max.
- Temperature: 300°C (572°F) max

The maximum allowable pressure can be determined by our Engineering Department

The above references are held in stock for class 150, 300, and 500

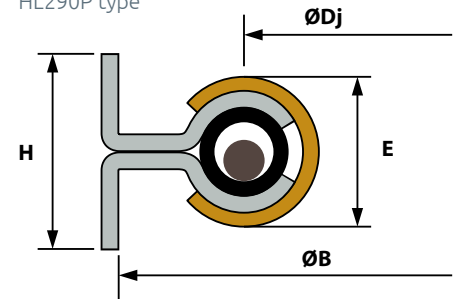
CLASS 300 CLAMPS

Flange Dimensions											
Clamp Reference	A		D1		e		X-short		X-long		Flange Reference
	in	mm	in	mm	in	mm	in	mm	in	mm	
300 A 30	1.181	30	0.709	18	0.157	4.0	0.787	20	1.968	50	300 KF 30
300 A 40	1.575	40	1.102	28	0.157	4.0	0.984	25	1.968	50	300 KF 40
300 A 55	2.165	55	1.693	43	0.157	4.0	1.181	30	2.362	60	300 KF 55
300 A 75	2.953	75	2.480	63	0.157	4.0	1.181	30	2.362	60	300 KF 75
300 B 92	3.622	92	3.071	78	0.248	6.3	1.181	30	2.362	60	300 KF 92
300 B 114	4.488	114	3.937	100	0.248	6.3	1.772	45	3.150	80	300 KF 114
300 B 134	5.276	134	4.724	120	0.248	6.3	1.968	50	3.543	90	300 KF 134
300 C 167	6.575	167	5.906	150	0.327	8.3	1.968	50	3.543	90	300 KF 167
300 C 201	7.913	201	7.244	184	0.327	8.3	1.968	50	3.937	100	300 KF 201
300 C 252	9.921	252	9.252	235	0.327	8.3	1.968	50	3.937	100	300 KF 252
300 D 304	11.969	304	11.102	282	0.445	11.3	1.968	50	3.937	100	300 KF 304
300 D 356	14.016	356	13.150	334	0.445	11.3	2.362	60	4.724	120	300 KF 356
300 D 387	15.236	387	14.370	365	0.445	11.3	2.362	60	4.724	120	300 KF 387
300 D 438	17.244	438	16.378	416	0.445	11.3	2.362	60	4.724	120	300 KF 438



Seal Dimensions									
Clamp Reference	ØB		ØDj		E		H		Seal Reference
	in	mm	in	mm	in	mm	in	mm	
300 A 30	1.185	30.1	0.866	22.0	0.110	2.8	0.315	8	HL290P - 2.8 x 30
300 A 40	1.579	40.1	1.268	32.2	0.110	2.8	0.315	8	HL290P - 2.8 x 40
300 A 55	2.169	55.1	1.878	47.7	0.110	2.8	0.315	8	HL290P - 2.8 x 55
300 A 75	2.957	75.1	2.449	62.2	0.110	2.8	0.315	8	HL290P - 2.8 x 75
300 B 92	3.626	92.1	3.268	83.0	0.189	4.8	0.354	9	HL290P - 4.8 x 92
300 B 114	4.492	114.1	4.055	103.0	0.189	4.8	0.354	9	HL290P - 4.8 x 114
300 B 134	5.280	134.1	4.764	121.0	0.189	4.8	0.354	9	HL290P - 4.8 x 134
300 C 167	6.579	167.1	6.063	154.0	0.189	4.8	0.472	12	HL290P - 4.8 x 167
300 C 201	7.917	201.1	7.283	185.0	0.189	4.8	0.472	12	HL290P - 4.8 x 201
300 C 252	9.925	252.1	9.291	236.0	0.189	4.8	0.472	12	HL290P - 4.8 x 252
300 D 304	11.972	304.1	11.339	288.0	0.189	4.8	0.551	14	HL290P - 4.8 x 304
300 D 356	14.020	356.1	13.268	337.0	0.189	4.8	0.551	14	HL290P - 4.8 x 356
300 D 387	15.240	387.1	14.488	368.0	0.189	4.8	0.551	14	HL290P - 4.8 x 387
300 D 438	17.248	438.1	16.496	419.0	0.189	4.8	0.551	14	HL290P - 4.8 x 438

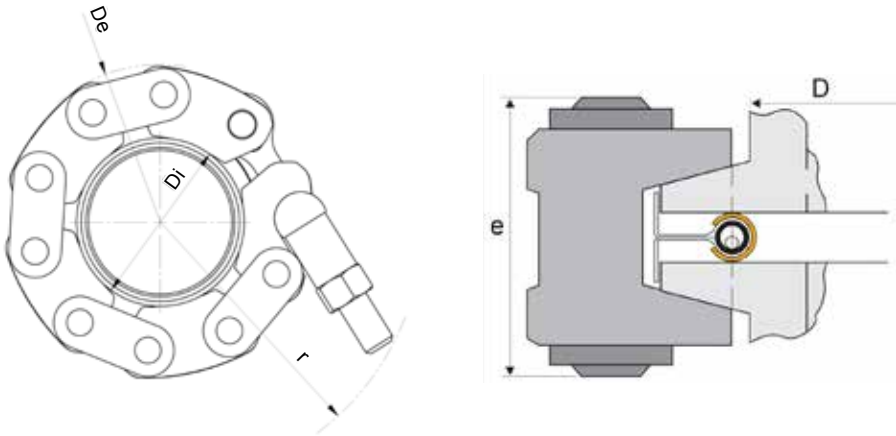
HELICOFLEX®
HL290P type



The above references are held in stock for class 150, 300, and 500

CLASS 500 CLAMPS

As with the QDS Class 300 series, the QDS Class 500 series is used for current applications (mid pressure and mid temperature) and can be supplied with non-magnetic materials. They are stronger than the QDS Class 300 and they have been designed to compress every kind of HELICOFLEX® seals with a seating load lower than 500N.mm⁻¹.



Clamp Dimensions												
Clamp Reference	Tube OD (Max)		De		Di		r		e		Max Torque	
	in	mm	in	mm	in	mm	in	mm	in	mm	ft.lb	N.m
500 A 30	0.709	18	2.362	60	0.787	20	2.165	55	1.260	32	13	17
500 A 40	1.102	28	2.756	122	1.181	30	2.283	58	1.260	32	13	17
500 A 55	1.693	43	3.307	140	1.772	45	2.441	62	1.260	32	13	17
500 B 75	2.402	61	4.803	160	2.480	63	4.134	105	1.614	41	37	50
500 B 92	2.992	76	5.512	192	3.150	80	4.134	105	1.614	41	37	50
500 B 114	3.780	96	6.299	230	4.016	102	4.528	115	1.614	41	37	50
500 C 134	4.528	115	7.559	284	4.724	120	5.709	145	2.087	53	89	120
500 C 167	5.669	144	9.055	332	6.024	153	6.142	156	2.087	53	89	120
500 D 201	6.693	170	11.181	380	7.205	183	6.890	175	2.756	70	133	180
500 D 252	8.661	220	13.071	435	9.213	234	8.386	213	2.756	70	133	180
500 D 304	10.787	274	14.961	475	11.260	286	9.055	230	2.756	70	133	180
500 E 356	12.756	324	17.126	520	13.150	334	10.433	265	3.307	84	184	249
500 E 387	14.016	356	18.701	460	14.370	365	11.024	280	3.307	84	184	249
500 E 438	16.024	407	20.472	510	16.378	416	12.205	310	3.307	84	184	249



Material:

- Stainless Steel clamp sections
- Stainless Steel links
- Steel screw (stainless steel on request)

Technical Data:

- Clamping load: 500 N/mm (2855 lb/in) max.
- Temperature: 300°C (572°F) max.

The maximum allowable pressure can be determined by our Engineering Department

The above references are held in stock for class 150, 300, and 500

TECHNETICS GROUP

EnPro Industries companies

france@technetics.com

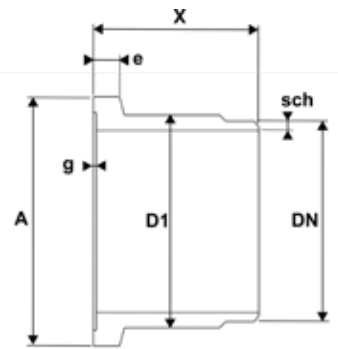
technetics.com

Technetics
GROUP

EnPro Industries companies

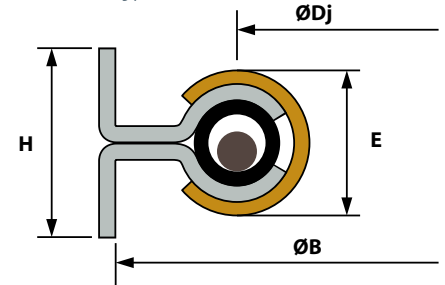
CLASS 500 CLAMPS

Flange Dimensions													
Clamp Reference	A		D1		e		g		X-short		X-long		Flange Reference
	in	mm	in	mm	in	mm	in	mm	in	mm	in	mm	
500 A 30	1.181	30	0.709	18	0.189	4.8	0.031	0.8	0.787	20	1.968	50	500 KF 30
500 A 40	1.575	40	1.102	28	0.189	4.8	0.031	0.8	0.984	25	1.968	50	500 KF 40
500 A 55	2.165	55	1.693	43	0.189	4.8	0.031	0.8	1.181	30	2.362	60	500 KF 55
500 B 75	2.953	75	2.402	61	0.311	7.9	0.035	0.9	1.181	30	2.362	60	500 KF 75
500 B 92	3.622	92	3.071	78	0.311	7.9	0.035	0.9	1.181	30	2.362	60	500 KF 92
500 B 114	4.488	114	3.937	100	0.311	7.9	0.035	0.9	1.772	45	3.150	80	500 KF 114
500 C 134	5.276	134	4.646	118	0.390	9.9	0.035	0.9	1.968	50	3.543	90	500 KF 134
500 C 167	6.575	167	5.906	150	0.390	9.9	0.035	0.9	1.968	50	3.543	90	500 KF 167
500 D 201	7.913	201	7.087	180	0.508	12.9	0.035	0.9	1.968	50	3.937	100	500 KF 201
500 D 252	9.921	252	9.094	231	0.508	12.9	0.035	0.9	1.968	50	3.937	100	500 KF 252
500 D 304	11.969	304	11.102	282	0.508	12.9	0.035	0.9	1.968	50	3.937	100	500 KF 304
500 E 356	14.016	356	12.992	330	0.665	16.9	0.035	0.9	2.362	60	4.724	120	500 KF 356
500 E 387	15.236	387	14.213	361	0.665	16.9	0.035	0.9	2.362	60	4.724	120	500 KF 387
500 E 438	17.244	438	16.220	412	0.665	16.9	0.035	0.9	2.362	60	4.724	120	500 KF 438



Seal Dimensions									
Clamp Reference	ØB		ØDj		E		H		Seal Reference
	in	mm	in	mm	in	mm	in	mm	
00 A 30	1.185	30.1	0.866	22.0	0.110	2.8	0.315	8	HL290P - 2.8 x 30
500 A 40	1.579	40.1	1.268	32.2	0.110	2.8	0.315	8	HL290P - 2.8 x 40
500 A 55	2.169	55.1	1.878	47.7	0.110	2.8	0.315	8	HL290P - 2.8 x 55
500 B 75	2.957	75.1	2.449	62.2	0.126	3.2	0.354	9	HL290P - 3.2 x 75
500 B 92	3.626	92.1	3.268	83.0	0.126	3.2	0.354	9	HL290P - 3.2 x 92
500 B 114	4.492	114.1	4.055	103.0	0.126	3.2	0.354	9	HL290P - 3.2 x 114
500 C 134	5.280	134.1	4.764	121.0	0.126	3.2	0.472	12	HL290P - 3.2 x 134
500 C 167	6.579	167.1	6.063	154.0	0.126	3.2	0.472	12	HL290P - 3.2 x 167
500 D 201	7.917	201.1	7.283	185.0	0.126	3.2	0.551	14	HL290P - 3.2 x 201
500 D 252	9.925	252.1	9.291	236.0	0.126	3.2	0.551	14	HL290P - 3.2 x 252
500 D 304	11.972	304.1	11.339	288.0	0.126	3.2	0.551	14	HL290P - 3.2 x 304
500 E 356	14.020	356.1	13.268	337.0	0.126	3.2	0.630	16	HL290P - 3.2 x 356
500 E 387	15.240	387.1	14.488	368.0	0.126	3.2	0.630	16	HL290P - 3.2 x 387
500 E 438	17.248	438.1	16.496	419.0	0.126	3.2	0.630	16	HL290P - 3.2 x 438

HELICOFLEX®
HL290P type



The above references are held in stock for class 150, 300, and 500

SPECIFIC DESIGNS

QDS CLASS 1000

Class 1000 series are heavy duty assemblies (clamps and flanges) designed for medium and high pressure and/or high temperature applications. The QDS Class 1000 series can be manufactured in any kind of standard or exotic material such as SS316, Inconel, and Hastelloy. The assembly design can be adjusted to fit many seal configurations as well as custom specifications. Please contact our Engineering department for more information.

ND	Tube OD		Clamp reference	Overall dimensions of the QDS						r	
				De		Di		e			
	in	mm		in	mm	in	mm	in	mm	in	mm
1"	1.310	33.4	1000 VK 55 DN 1"	3.940	100	1.570	40	1.970	50	3.150	80
1" 1/2	1.900	48.3	1000 VK 75 DN 1" 1/2	5.040	128	2.360	60	2.360	60	3.740	95
2"	2.370	60.3	1000 VK 92 DN 2"	6.060	154	2.800	71	2.950	75	4.330	110
2" 1/2	2.870	73.0	1000 VK 114 DN 2" 1/2	7.320	186	3.350	85	3.150	80	5.120	130
3"	3.500	88.9	1000 VK 125 DN 3"	8.070	205	3.860	98	3.540	90	5.710	145
4"	4.500	114.3	1000 VK 150 DN 4"	9.290	236	4.840	123	3.940	100	6.500	165
5"	5.560	141.3	1000 VK 198 DN 5"	11.650	296	6.380	162	4.720	120	8.070	205
6"	6.630	168.3	1000 VK 228 DN 6"	13.230	336	7.240	184	5.120	118	9.060	230



CUSTOM QDS (VK STYLE)

If the Class 150, 300 and 500 standard series cannot meet the requirements (overall dimension, pressure, temperature, etc.), Technetics Group can design a custom QDS with non-standard dimensions and exotic materials, specific heat treatment and/or surface treatment. Also, some specific security devices can be added on request. Please contact our Engineering department for more information.

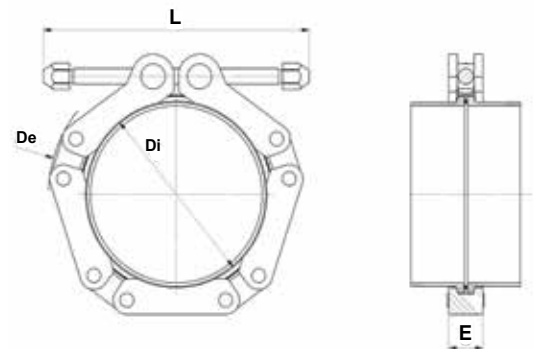


REMOTE HANDLING (RH TYPE)

RH QDS clamps and seals can be fitted with special handling features such as custom cross bolts and seal lugs for easy installation and removal with remote handling equipment. These custom QDS assemblies are ideal for radioactive environments where personnel exposure must be reduced or eliminated. As with the QDS Class 1000 series and VK series, they can be manufactured in any kind of material. Please contact our Engineering department for more information.



Pipe OD		Clamp reference	Overall dimensions of the QDS							
			De		Di		L		E	
in	mm		in	mm	in	mm	in	mm	in	mm
0.710	18	300RH30	2.600	66	0.790	20	4.530	115	0.940	24
1.100	28	300RH40	3.350	85	1.180	30	5.310	135	0.940	24
1.690	43	300RH55	3.820	97	1.770	45	5.910	150	0.940	24
2.440	62	300RH75	4.570	116	2.560	65	5.910	150	0.940	24
3.940	100	300RH114	7.090	180	4.020	102	7.090	180	1.260	32
4.720	120	300RH134	7.280	185	4.800	122	9.840	250	1.260	32
7.090	180	300RH201	11.020	280	7.360	187	10.830	275	1.890	48
9.060	230	300RH252	13.390	340	9.370	238	12.600	320	1.890	48
5.670	144	500RH167	9.690	246	6.020	153	10.630	270	1.890	48
6.690	170	500RH201	11.810	300	7.200	183	11.810	300	2.130	54



TECHNETICS GROUP

EnPro Industries companies

france@technetics.com

technetics.com



EnPro Industries companies

COMMON TUBE DIMENSIONS

STANDARD SCHEDULE PIPE SIZES

Nom Pipe Size		Pipe OD		Schedule 5S				Schedule 10S				Schedule 40S				Schedule 80S				Schedule 160S			
				Thickness		ID		Thickness		ID		Thickness		ID		Thickness		ID		Thickness		ID	
in	mm	in	mm	in	mm	in	mm	in	mm	in	mm	in	mm	in	mm	in	mm	in	mm	in	mm	in	mm
1/8	3	0.405	10.29					0.049	1.24	0.307	7.8	0.068	1.73	0.269	6.83	0.095	2.41	0.215	5.5				
1/4	6	0.540	13.72					0.065	1.65	0.409	10.4	0.088	2.24	0.364	9.24	0.119	3.02	0.303	7.7				
1/2	10	0.838	21.30	0.065	1.65	0.710	18.00	0.083	2.11	0.673	17.1	0.109	2.77	0.622	15.8	0.147	3.73	0.546	13.9				
3/4	20	1.051	26.70	0.065	1.65	0.918	23.40	0.083	2.11	0.886	22.5	0.113	2.87	0.823	20.9	0.154	3.91	0.743	18.9	0.329	5.56	0.924	15.6
1	25	1.315	33.40	0.065	1.65	1.181	30.10	0.109	2.77	1.098	27.9	0.113	3.38	1.049	26.6	0.179	4.55	0.955	24.3	0.376	6.35	1.226	20.7
1	40	1.901	48.30	0.065	1.65	1.765	45.00	0.109	2.77	1.681	42.7	0.145	3.68	1.611	40.9	0.200	5.08	1.498	38.1	0.423	7.14	2.013	34
2	50	2.373	60.30	0.065	1.65	2.236	57.00	0.109	2.77	2.157	54.8	0.154	3.91	2.068	52.5	0.218	5.54	1.938	49.3	0.518	8.74	2.540	42.9
2	60	2.873	73.00	0.083	2.11	2.699	68.80	0.121	3.05	2.633	66.9	0.203	5.16	2.469	62.7	0.276	7.01	2.319	59	0.564	9.53	3.197	54
3	80	3.499	88.90	0.083	2.11	3.323	84.70	0.121	3.05	3.259	82.8	0.216	5.49	3.068	77.9	0.300	7.62	2.897	73.7	0.659	11.13	3.944	66.6
4	100	4.499	114.30	0.083	2.11	4.319	110.10	0.121	3.05	4.259	108.2	0.237	6.02	4.029	102.3	0.337	8.56	3.820	97.2	0.799	13.49	5.169	87.3
5	130	5.561	141.30	0.109	2.77	5.328	135.80	0.134	3.4	5.294	134.5	0.257	6.55	5.049	128.2	0.376	9.53	4.803	122.2	0.940	15.88	6.484	109.5
6	150	6.624	168.30	0.109	2.77	6.383	162.70	0.134	3.4	6.356	161.5	0.279	7.11	6.069	154.1	0.432	10.97	5.750	146.3	1.081	18.26	7.804	131.8
8	200	8.623	219.10	0.109	2.77	8.376	213.50	0.149	3.76	8.328	211.6	0.322	8.18	7.983	202.7	0.501	12.7	7.613	193.7	1.362	23.01	10.250	173.1
10	250	10.749	273.10	0.134	3.4	10.447	266.30	0.166	4.19	10.418	264.7	0.364	9.27	10.023	254.5	0.595	15.09	9.547	242.9	1.504	25.4	13.163	222.3
12	300	12.748	323.90	0.156	3.96	12.393	315.90	0.181	4.57	12.386	314.7	0.405	10.31	11.942	303.2	0.689	17.48	11.356	288.9	1.973	33.32	3.387	57.2
14	350	13.996	355.60	0.156	3.96	13.641	347.70	0.251	6.35	13.496	342.9	0.437	11.13	13.127	333.3	0.751	19.05	12.479	317.5	2.114	35.71	16.828	284.2
16	400	15.995	406.40	0.165	4.19	15.614	398.00	0.251	6.35	15.496	393.7	0.499	12.7	15.006	381	0.845	21.44	14.287	363.5	2.398	40.49	19.268	325.4

ISO STANDARD TUBING

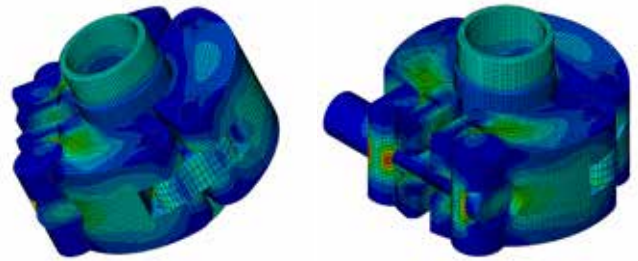
Tube OD		Light				Medium				Heavy			
		Thickness		ID		Thickness		ID		Thickness		ID	
in	mm	in	mm	in	mm	in	mm	in	mm	in	mm	in	mm
0.236	6.00	0.039	1.00	0.157	4.00								
0.315	8.00	0.039	1.00	0.236	6.00								
0.394	10.00	0.039	1.00	0.315	8.00								
0.472	12.00	0.039	1.00	0.394	10.00	0.059	1.50	0.354	9.00				
0.551	14.00	0.039	1.00	0.472	12.00	0.059	1.50	0.433	11.00	0.079	2.00	0.394	10.00
0.630	16.00	0.039	1.00	0.551	14.00	0.059	1.50	0.669	17.00	0.079	2.00	0.472	12.00
0.787	20.00	0.039	1.00	0.709	18.00	0.059	1.50	0.866	22.00	0.079	2.00	0.630	16.00
0.984	25.00	0.039	1.00	0.906	23.00	0.059	1.50	0.866	22.00	0.079	2.00	0.827	21.00
1.102	28.00	0.039	1.00	1.024	26.00	0.059	1.50	0.984	25.00	0.079	2.00	0.945	24.00
1.496	38.00	0.039	1.00	1.417	36.00	0.063	1.60	1.370	34.80	0.079	2.00	1.339	34.00
1.752	44.50	0.059	1.50	1.634	41.50	0.079	2.00	1.594	40.50	0.102	2.60	1.547	39.30
2.244	57.00	0.059	1.50	2.126	54.00	0.079	2.00	2.087	53.00	0.102	2.60	2.039	51.80
2.996	76.10	0.063	1.60	2.870	72.90	0.091	2.30	2.815	71.50	0.114	2.90	2.768	70.30



For non standard dimensions, please contact our Engineering Department

INNOVATION AND ADVANCED ENGINEERED SEALING SOLUTIONS

With our expertise in the field of dynamic sealing, Technetics Group develops and sells innovative sealing solutions suitable for our customers' most varied applications. With our in-house engineering department, calculation tools and numerical modeling, Technetics Group adapts and designs sealing solutions, which respond to your most specific demands: high viscosity products, abrasive materials, high temperatures, high speed, high pressure, etc.



QUALITY AND TESTS

With next-generation characterization resources, our maestral sealing laboratory, in collaboration with CEA (French Atomic Energy & Alternative Energy Agency), can analyze your seals comprehensively and rapidly. Technetics Group owns a number of instrumented test benches to develop and characterize seals under extreme operating conditions (abrasion, speed, etc.) by reproducing all the principal working conditions. These test benches help assess the leakage rates of the seals as well as their tribological properties.



THE TECHNICAL DATA CONTAINED HEREIN IS BY WAY OF EXAMPLE AND SHOULD NOT BE RELIED ON FOR ANY SPECIFIC APPLICATION. TECHNICS GROUP WILL BE PLEASED TO PROVIDE SPECIFIC TECHNICAL DATA OR SPECIFICATIONS WITH RESPECT TO ANY CUSTOMER'S PARTICULAR APPLICATIONS. USE OF THE TECHNICAL DATA OR SPECIFICATIONS CONTAINED HEREIN WITHOUT THE EXPRESS WRITTEN APPROVAL OF TECHNICS GROUP IS AT USER'S RISK AND TECHNICS GROUP EXPRESSLY DISCLAIMS RESPONSIBILITY FOR SUCH USE AND THE SITUATIONS WHICH MAY RESULT THEREFROM.

TECHNETICS GROUP MAKES NO WARRANTY, EXPRESS OR IMPLIED, THAT UTILIZATION OF THE TECHNOLOGY OR PRODUCTS DISCLOSED HEREIN WILL NOT INFRINGE ANY INDUSTRIAL OR INTELLECTUAL PROPERTY RIGHTS OF THIRD PARTIES.

TECHNETICS GROUP IS CONSTANTLY INVOLVED IN ENGINEERING AND DEVELOPMENT. ACCORDINGLY, TECHNICS GROUP RESERVES THE RIGHT TO MODIFY, AT ANY TIME, THE TECHNOLOGY AND PRODUCT SPECIFICATIONS CONTAINED HEREIN. ALL TECHNICAL DATA, SPECIFICATIONS AND OTHER INFORMATION CONTAINED HEREIN IS DEEMED TO BE THE PROPRIETARY INTELLECTUAL PROPERTY OF TECHNICS GROUP. NO REPRODUCTION, COPY OR USE THEREOF MAY BE MADE WITHOUT THE EXPRESS WRITTEN CONSENT OF TECHNICS GROUP.

Revised September 2018 - This document replaces any previous versions

APPLICATIONS DATA SHEET

Tel: +33 (0) 4 77 43 51 00 Fax: +33 (0) 4 77 43 51 51
 E-Mail: sales@technetics.com



EnPro Industries companies

COMPANY:	PHONE:
CONTACT:	FAX:
ADDRESS:	E-MAIL:
	DATE:

APPLICATION

Brief Description: _____

Is This a New Design? Yes No Are Modifications Possible? Yes No

Drawing or Sketch Attached? Yes No

SERVICE CONDITIONS

Working Pressure: _____	Temp/Pressure Cycles: _____
Maximum Pressure: _____	Media: _____
Working Temperature: _____	Required Sealing Level: _____
Maximum Temperature: _____	Life Expectancy: _____
<input type="checkbox"/> Remote Handling Required (Radiation?)	<input type="checkbox"/> Non-Magnetic Required

FLANGE DETAILS

Technetics Group to Design (If flange design exists, then fill out "Standard" or "Special" Section below as appropriate).

Standard Size (ie. ND, KF, DN, ISO, etc): _____ Face Surface Finish: _____ (RMS)

Flange Material _____

Special If not standard, provide drawing or dimensions in picture below.

Flange Material = _____

Ø D = _____

Ø A = _____

Flange Thickness h = _____

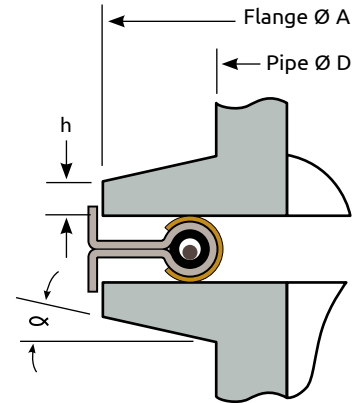
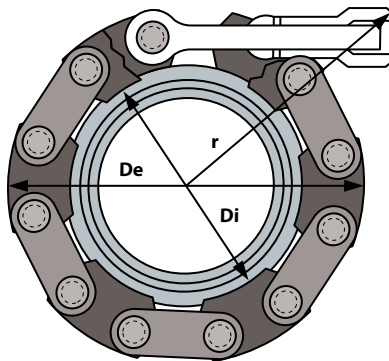
Flange Angle = α _____

Clamp Width/Thickness = _____

Clamp Clearance De = _____

Bolt Clearance r = _____

Flange Stub Length = _____



PIPE DETAILS

Size: _____ Material Grade: _____

Thickness: (Schedule / ISO Size may be provided instead) _____

COMMENTS / NOTES

For more information on how Technetics Group affects your critical markets, visit technetics.com.

ASIA

Blk 203, #05-52
Woodlands Avenue 9
Woodlands Spectrum 2,
738956 Singapore

Phone: +65 6759 2335
Fax: +65 6759 7319

FRANCE

90, rue de la Roche du Geai
CS 52913
42029 Saint Etienne cedex 1 FRANCE

Phone: +33 (0) 4 77 43 51 00
Fax: +33 (0) 4 77 43 51 51

49 Avenue Charles de Gaulle
Z.I. Survaure
42607 Montbrison cedex FRANCE

Phone: +33 (0) 4 77 96 79 80

GERMANY

Falkenweg 1
41468 Neuss
Germany

Phone: 0800-627-0151

UK

Acan Way, Coventry Road
Narborough, Leicester LE19 2FT UK

Phone: +44 (0) 1162 727411
Fax: +44 (0) 1162 727412

USA

2791 The Boulevard
Columbia, SC 29209 USA

Phone: +1-803-783-1880
Fax: +1-803-783-4279

305 Fentress Boulevard
Daytona Beach, FL 32114 USA

Phone: +1-386-253-0628
Fax: +1-386-257-0122

1700 E. International Speedway Blvd
DeLand, FL 32724 USA

Phone: +1-386-736-7373
Fax: +1-386-738-4533

1600 Industry Road
Hatfield, PA 19440 USA

Phone: +1-800-618-4701
Fax: +1-215-855-3570

10633 W Little York, Bldg 3, Suite 300
Houston, TX 77041 USA

Phone: +1-713-983-4201
Fax: +1-713-466-3721

990 Richard Avenue, Suite 117
Santa Clara, CA 95050 USA

Phone: +1-669-242-8804
Fax: +1-669-242-8492

TECHNETICS GROUP

EnPro Industries companies

france@technetics.com
technetics.com



EnPro Industries companies